



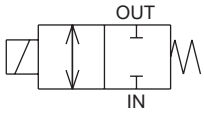
Metal-free 2-port solenoid valve

MJB3 Series

- NC (normally closed)
- Working fluid: Water/pure water/chemical liquids
- Port size: Tube connection porting O.D. x I.D. = $\varnothing 8 \times \varnothing 4$



JIS symbol



Specifications

Item	MJB3-4TN
Working fluid	Water, pure water, chemical liquids (fluids that do not corrode wetted part materials)
Proof pressure MPa	0.23 (water pressure)
Working pressure MPa	IN→OUT -0.06 to 0.15 When OUT port has negative pressure, the IN port is open to the atmosphere. OUT→IN -0.06 to 0.15 When IN port has negative pressure, the OUT port is open to the atmosphere.
Fluid temperature °C	0 to 90 (no freezing)
Ambient temperature °C	0 to 40
Atmosphere	No explosive or corrosive atmospheres
Valve seat leakage cm ³ /min	0 (water pressure)
Port size	Tube connection porting O.D. x I.D. = $\varnothing 8 \times \varnothing 4$
Orifice size mm	3
Cv	0.2
Mounting orientation	Unrestricted
Weight kg	0.15
Electrical specifications	
Rated voltage	24 VDC
Voltage fluctuation range	±10%
Power consumption W	5.1
Leakage current mA	1 or less (*1)
Thermal class	Class 130 (B)

*1: The leakage current from the control circuit must be equal to or less than the values shown in the table.

*2: For 0.1% or less effective concentration of sodium hypochlorite (soda), perform functional testing according to your application before use. Do not use effective chlorine concentration exceeding 0.1%.

*3: Do not apply excessive force on the fitting when connecting or disconnecting the tube.

*4: Recommended tube

Material: Silicone rubber, size: O.D x I.D = $\varnothing 11 \times \varnothing 5$

*5: Make sure to read the safety precautions on pages 3 to 8 before use.

How to order

MJB3 - **4TN** - **P** **F** - **DC24V**

Model No.

A Port size

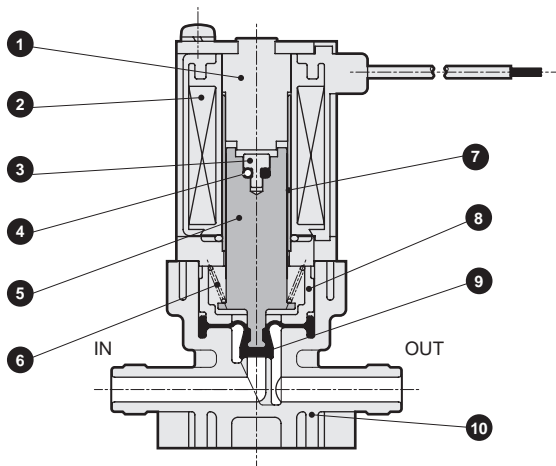
B Body material

C Sealant

D Voltage

Code	Description
A Port size	
4TN	Port I.D. $\varnothing 4$
B Body material	
P	PPS
S	PSU
C Sealant	
F	FKM
D Voltage	
DC24V	24 VDC

Internal structure and parts list



Part No.	Part name	Material	
1	Core A	SUM	Steel
2	Coil assembly	Class B molded coil	
3	Rod	PPS	Polyphenylene sulfide
4	O-ring	FKM	Fluoro rubber
5	Plunger	SUS405 or equiv.	Stainless steel
6	Spring	SUS304	Stainless steel
7	Guide pipe	SUS304	Stainless steel
8	Diaphragm holder	PPS	Polyphenylene sulfide
9	Diaphragm	FKM	Fluoro rubber
10	Body	PPS (PSU)	Polyphenylene sulfide (Polysulfone)

() shows options.

Dimensions

